

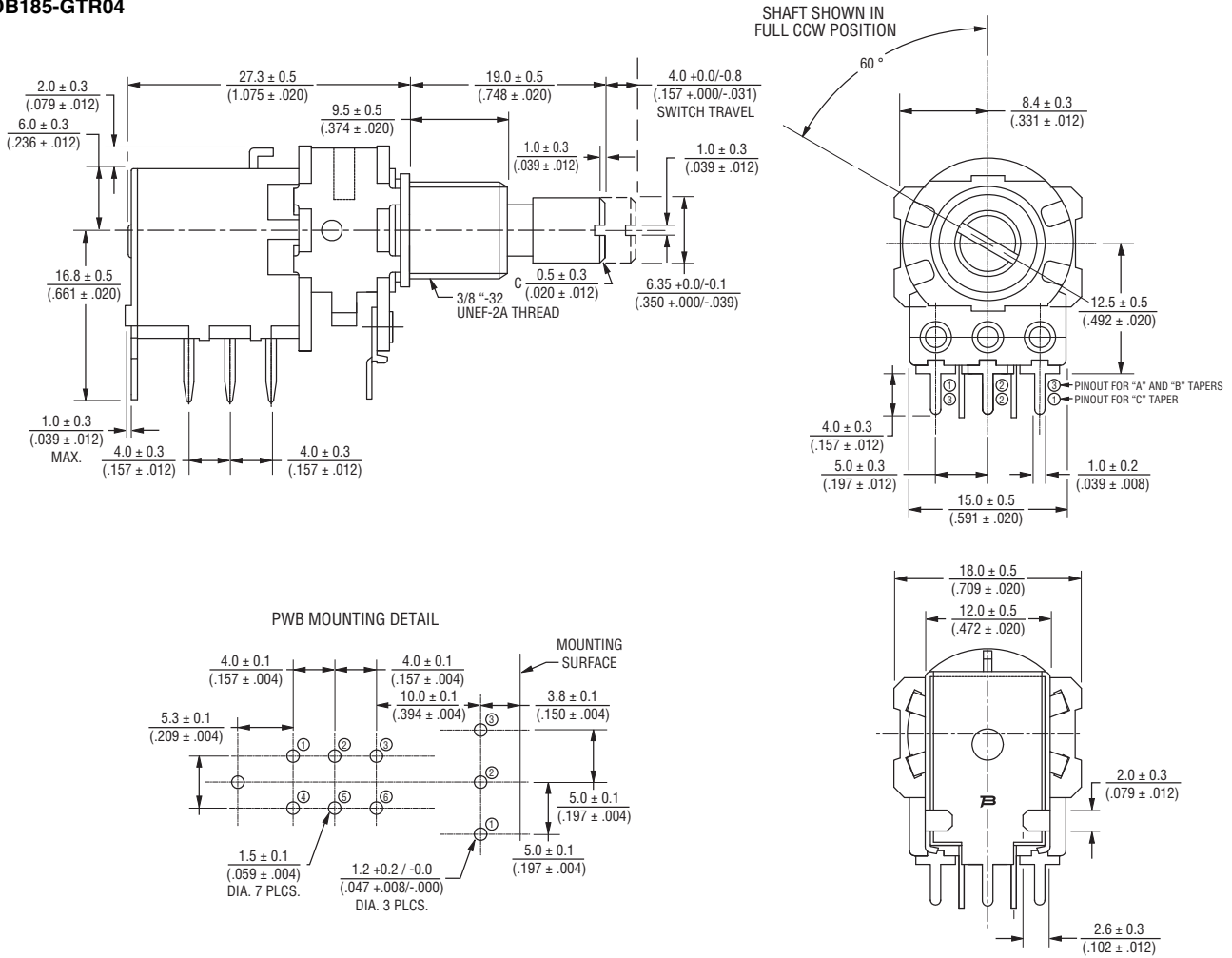


# PDB185-GTR - 17 mm Guitar Potentiometer w/Latching-Push Switch

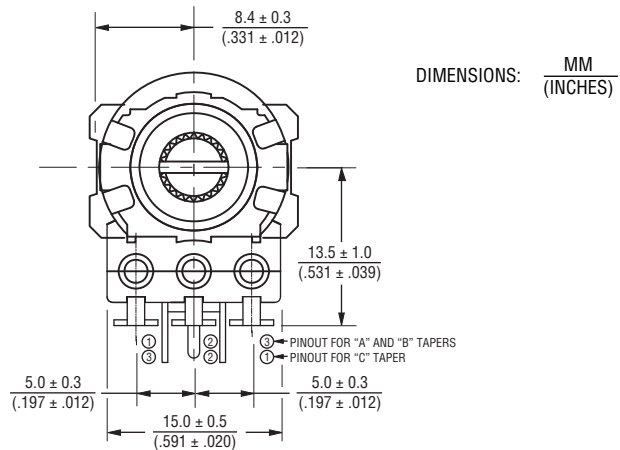
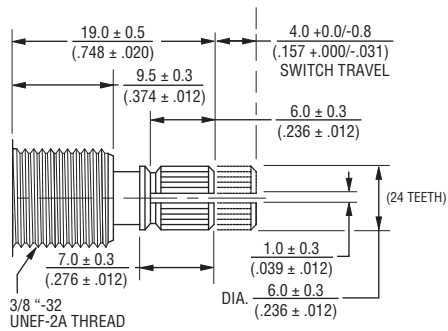


## Product Dimensions (Continued)

### PDB185-GTR04



### PDB185-GTR11, PDB185-GTR13



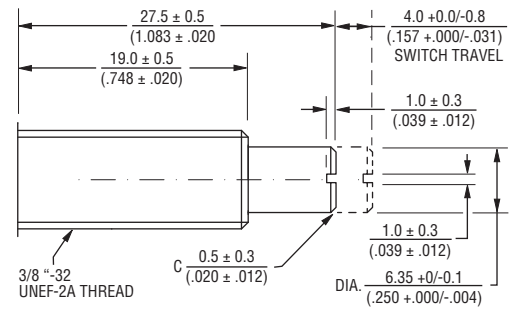
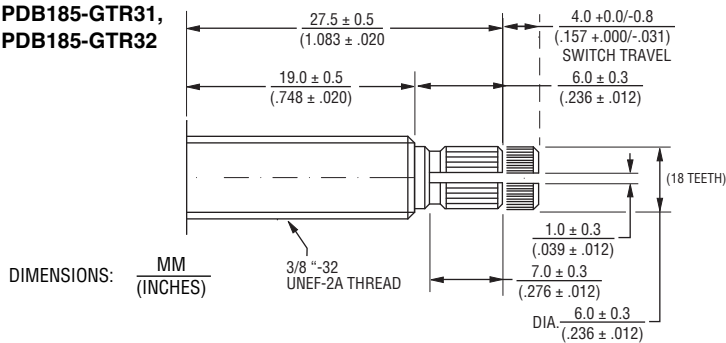
Specifications are subject to change without notice.  
The device characteristics and parameters in this data sheet can and do vary in different applications and actual device performance may vary over time.  
Users should verify actual device performance in their specific applications.

# PDB185-GTR - 17 mm Guitar Potentiometer w/Latching-Push Switch

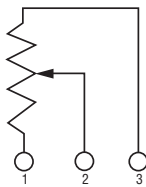


## Product Dimensions (Continued)

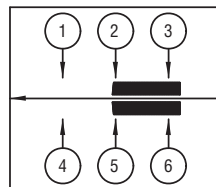
PDB185-GTR31,  
PDB185-GTR32



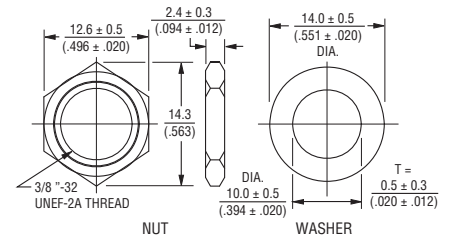
## Circuit



## Switch Circuit

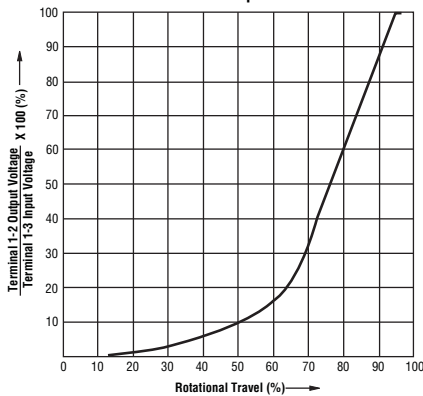


## Hardware

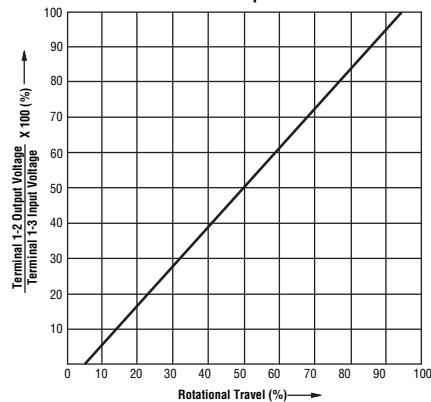


## Tapers

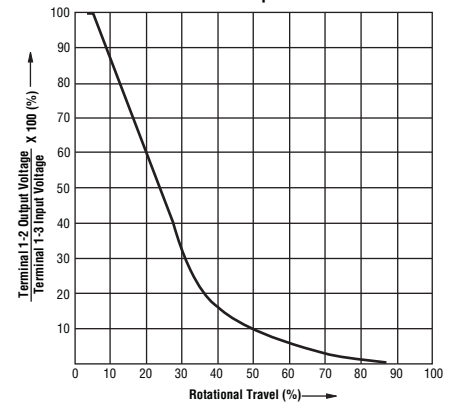
A2 Taper



B0 Taper



C2 Taper



Asia-Pacific: Tel: +886-2 2562-4117 • Fax: +886-2 2562-4116

EMEA: Tel: +36 88 520 390 • Fax: +36 88 520 211

The Americas: Tel: +1-951 781-5500 • Fax: +1-951 781-5700

www.bourns.com

## Typical Part Marking

